

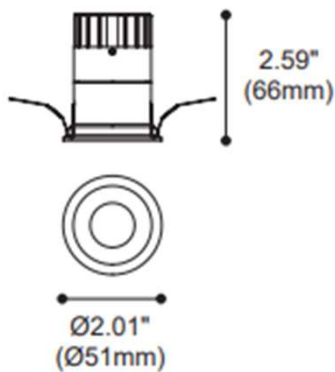
Mino 7w fixed downlight



Mino 7w fixed IP44 LED downlight, utilises our super soft unique anti-glare baffle rating UGR<14 incorporating COB LED technology improving colour rendering and consistent colour temperature. Includes remote 350mA LED Driver.



Dimensions



Technical Specification

| | |
|---------------------------|----------------------------|
| Luminous flux | 547lm |
| Beam Angle | 20° 25° 40° 50° |
| CCT | 2700K 3000K |
| Power Consumption | 7w |
| CRI | 90+ |
| Dimensions | 51mm x 66mm, 45mm Cutout |
| Dimming | Mains Dimming, DALI, 1-10v |
| Efficiency | 78lm/w |
| Finish | White / Black |
| Ingress Protection | IP44 |
| Options | Baffle white or black |

Specify code: MINO-2118564-CCT-BEAM-FINISH-DRIVER