

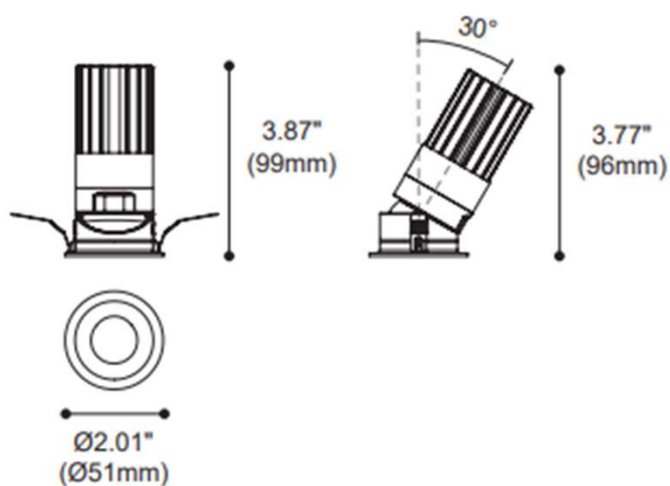
Mino 10w adjustable downlight



Mino 10w trimless IP44 LED downlight, utilises our super soft unique anti-glare baffle rating UGR<14 incorporating COB LED technology improving colour rendering and consistent colour temperature. 30° Tilt, includes remote 250mA LED Driver.



Dimensions



Technical Specification

Luminous flux	697lm
Beam Angle	20° 25° 40° 50°
CCT	2700K 3000K
Power Consumption	10w
CRI	90+
Dimensions	51mm x 99mm, 45mm Cutout
Dimming	Mains Dimming, DALI, 1-10v
Efficiency	69lm/w
Finish	White / Black
Ingress Protection	IP44
Options	Baffle white or black

Specify code: MINO-2118565-97-CCT-BEAM-FINISH-DRIVER