

Creon 150 – LED Floodlight

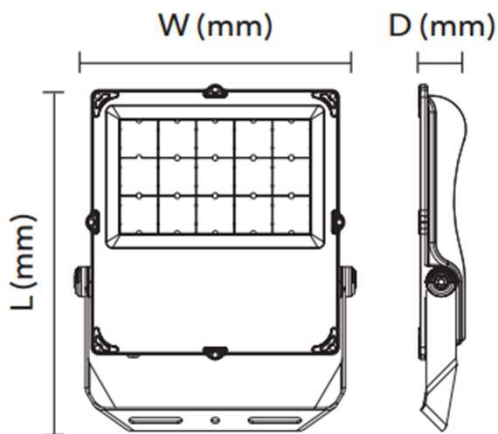


Creon 150 LED floodlight constructed from diecast aluminium, robust construction with tempered glass sealed to IP66 and IK08 impact rating, finished in Black RAL 9017. Integrates breathable vale to prevent condensation build up. Wired with 1500mm flying lead H05RN-F. Built in surge protection of 10kVA L/N-PE.

The optical design ensures light is optically controlled where required, avoiding light pollution into the sky and reducing glare kick-back. Optional Photocell to automate dusk-to-dawn operation.

Suitable for coastal environments.
Wall or post mounted for column brackets.

Dimensions



Technical Specification

Luminous flux	19508lm
Beam Angle	90° x 150° Asymmetric
CCT	4000K
Power Consumption	150w
CRI	80+
Dimensions	L402mm x W377mm x D62mm
Dimming	Non dimming
Efficiency	130lm/w
Finish	Black RAL 9017
Ingress Protection	IP66 / IK08
Options	Photocell

Specify code: CRE150-X (X replace with = NP No Photocell, PH Photocell)