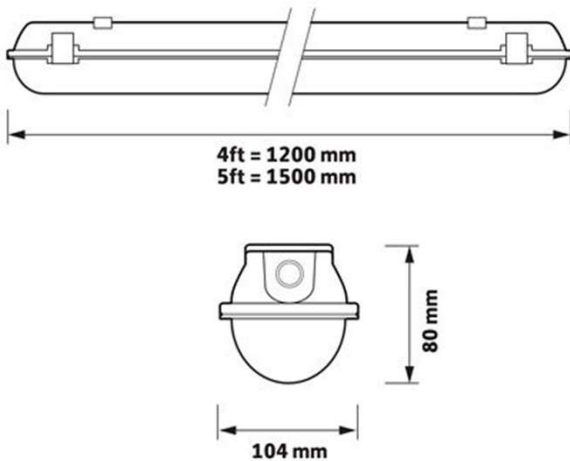


## Impasso 129 1500mm anti-corrosive

Impasso 129 IP65 anti-corrosive LED batten with a robust injection moulded polycarbonate body, which has been given an impact resistance rating of IK10. Tridonic LED and driver system with dimming, emergency and remote sensor options. Fitted with an opal light pipe for homogeneous output and clear vapour proof high impact diffuser



### Dimensions



### Technical Specification

<b>Luminous flux</b>	2900lm 19w, 5500lm 36w
<b>Beam Angle</b>	90°
<b>CCT</b>	3000K 4000K
<b>Power Consumption</b>	16w or 30w
<b>CRI</b>	80+
<b>Dimensions</b>	1500mm x 104mm x 80mm
<b>Dimming</b>	DALI
<b>Efficiency</b>	145lm/w
<b>Finish</b>	Grey
<b>Ingress Protection</b>	IP65
<b>Options</b>	3hr Emergency integral, Sensor, Suspension kit, SS clips

**Specify code: IMPASSO-129-15-Watt-CCT-OP (EM/SEN/SUS/SSC)**